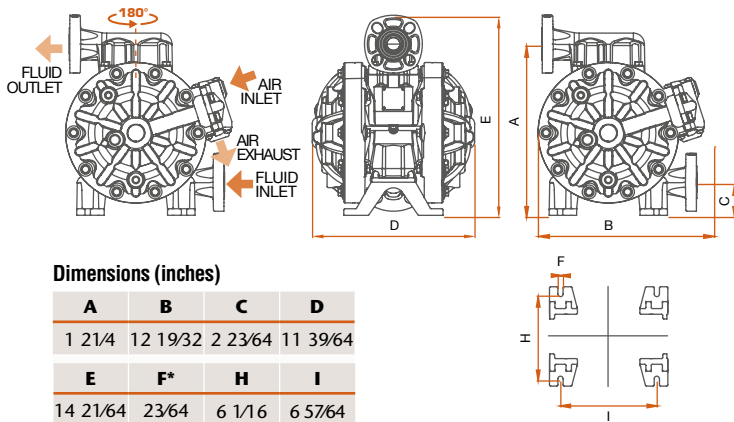


DP200 PLASTIC PUMPS

TECHNICAL DATA

Pressure ratio	1:1
Maximum free delivery (1)	53 US gal/min (200 l/min)
Delivery per stroke approx. (1)	0.13 US gal (0,5 liters)
Delivery per cycle (2 x strokes) (1)	0.26 US gal (1 liter)
Air pressure operating range	22 to 115 psi (1,5 to 8 bar)
Solids in suspension max. size	1/4" (6 mm)
Maximum dry suction lift (1)	16' (5 m)
Maximum wet suction lift (1)	26' (8 m)
Weight	23.15 lb (10,5 kg)
Fluid inlet connection	1" DIN PN-10 DN25 flange and ANSI B16.5 1" 150 lb flange
Fluid outlet connection	1" DIN PN-10 DN25 flange and ANSI B16.5 1" 150 lb flange
Air inlet connection	3/8" NPSM (F)
Wetted part materials	See recommended models

(1) Data measured with water, air inlet pressure 100 psi (7 bar), 68 °F (20 °C).



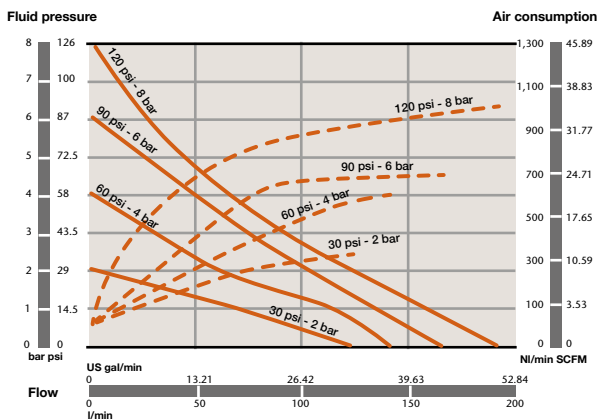
Dimensions (inches)

A	B	C	D
1 21/4	12 19/32	2 23/64	11 39/64
E	F*	H	I
14 21/64	23/64	6 1/16	6 57/64

* Diameter of the holes for fasteners in each of the four pump feet.

PERFORMANCE CURVES

Tested at room temperature, with water and flooded pump with 31 1/2" (800 mm) height of water above the pump inlet.



(*) 30 psi test with a pump fitted with PTFE (Teflon®) diaphragms.

— Outlet pressure - - - - Air consumption

DP200 PLASTIC PUMP CODING SYSTEM

1	2	3	4	5	6	7	8	9	10
DP200	P	P	S	E	M	T	M	F	AS

1 PUMP SIZE

DP200

2 AIR MOTOR: DIRECTIONAL VALVE & AIR CHAMBER COVERS

P = Polypropylene

3 WETTED PUMP BODY

P = Polypropylene
B = Conductive Polypropylene (ATEX pump)
D = Conductive Acetal (ATEX pump)
W = PVDF
K = Conductive PVDF (ATEX pump)

4 PUSH ROD

S = Stainless Steel AISI 420
Y = Hastelloy® C

5 SEALS

V = FKM (Viton®)
E = EPDM
T = PTFE (Teflon®)

6 CHECK VALVE SEATS

P = Polypropylene
C = Acetal
W = PVDF
M = Santoprene®
H = TPE (Hytrel®)

7 CHECK VALVE BALLS

T = PTFE (Teflon®)
C = Acetal
S = Stainless Steel AISI 316

8 DIAPHRAGMS

T = PTFE (Teflon®)
M = Santoprene®
H = TPE (Hytrel®)

9 FLUID CONNECTION THREADS

F = Flange

10 OPTIONS

AS = Standard pump
BS = Remote air exhaust *
DS = Stroke sensor
FS = Extra muffler

* Included in all DP200 pumps

